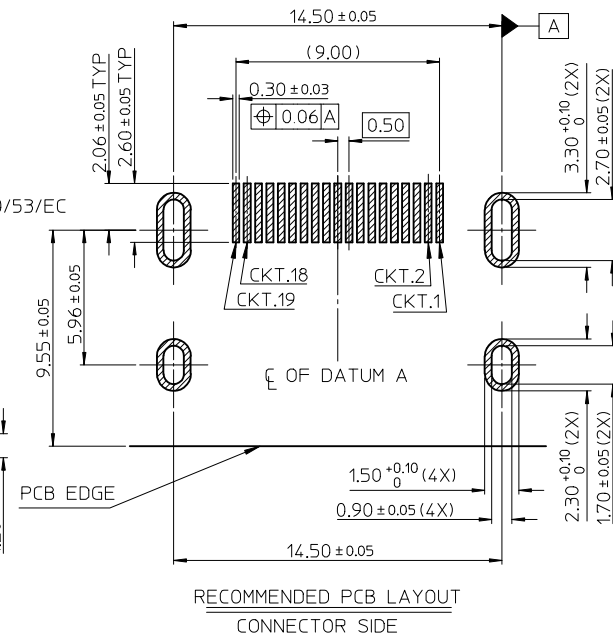
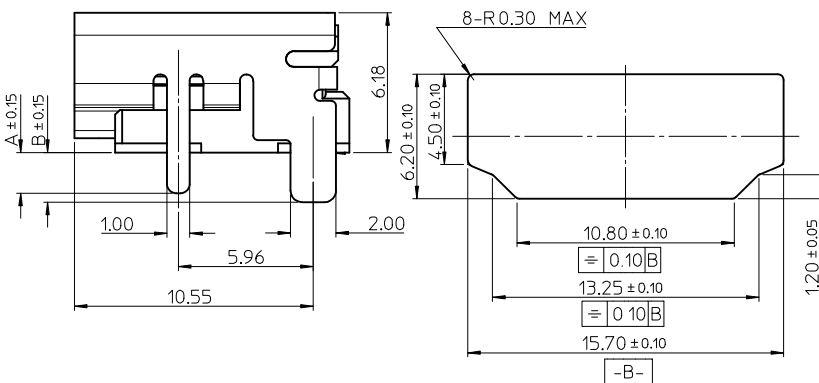
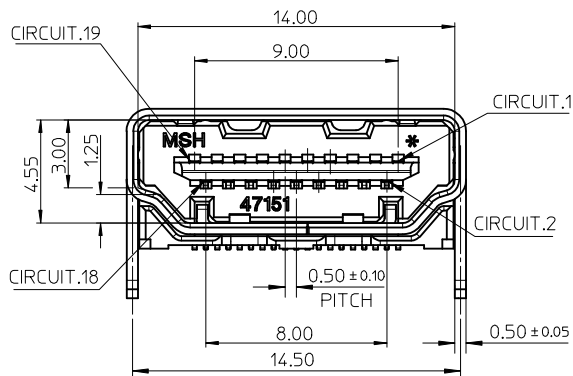
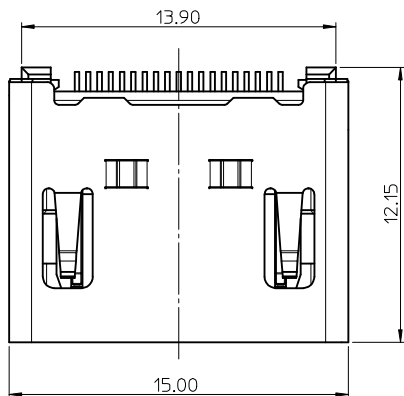
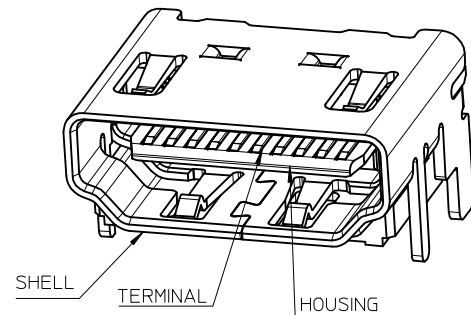


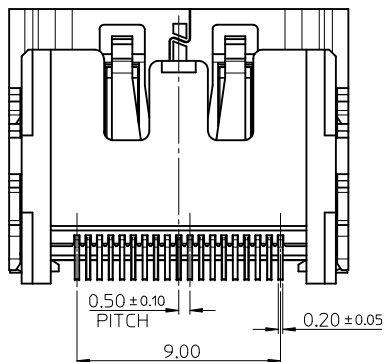
10 9 8 7 6 5 4 3 2 1

NOTES:

1. MATERIAL:
HOUSING: THERMOPLASTIC . COLOR: SEE TABLE.
SHELL: COPPER ALLOY.
TERMINAL: COPPER ALLOY.
2. PLATING:
TERMINAL:
CONTACT AREA: (1) 0.76 MICROMETER MIN. GOLD PLATING.
(2) 0.25 MICROMETER MIN. GOLD PLATING.
(3) GOLD FLASH.
(4) 0.375 MICROMETER MIN. GOLD PLATING.
SOLDER AREA: 1 MICROMETER MIN. TIN-BISMUTH ALLOY PLATED.
UNDER PLATE: 1.27 MICROMETER MIN. NICKEL.
SHELL: (a) 1.27 MICROMETER MIN. SOLDERABLE NICKEL PLATE OVERALL.
(b) GOLD FLASH PLATING OVER 1.27 MICROMETER MIN. NICKEL PLATING OVERALL.
3. COPLANARITY IS 0.1MM MAX.
4. PRODUCT SPECIFICATION REFER TO PS-47152-001.
5. PACKAGE SPECIFICATION FOR WITHOUT FLANGE REFER TO PK-47151-001.
6. PRODUCT COMPLIANT TO RoHS DEIRECTIVE 2002/95/EC AND ELV DIRECTIVE 2000/53/EC

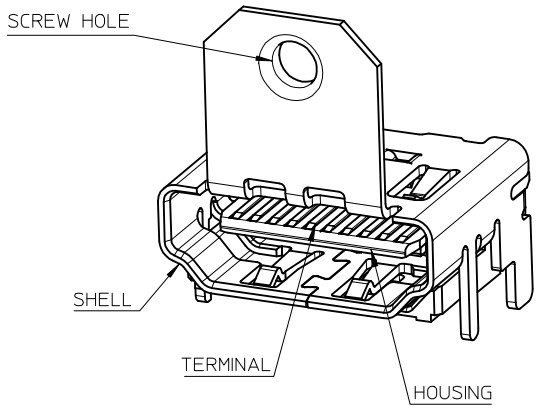
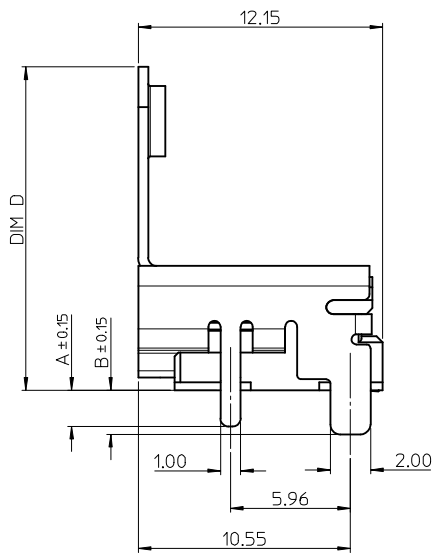
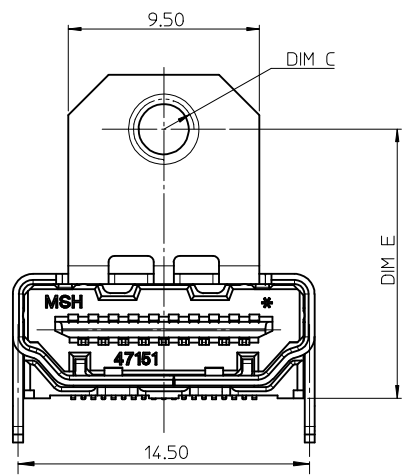
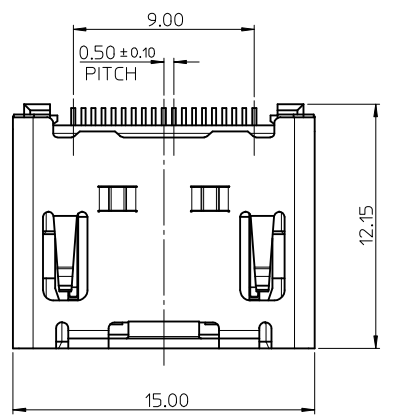


RECOMMENDED PANEL CUT OUT DIMENSION



REVISED EC NO: DRWN: CWTANG CHKD: APPR:	DESCRIPTION REV	QUALITY SYMBOLS = 0 = 0	GENERAL TOLERANCES (UNLESS SPECIFIED)		DIMENSION STYLE MM ONLY	SCALE 5:1	DESIGN UNITS METRIC	THIRD ANGLE PROJECTION
			mm	INCH	DRAWN BY RZHANG	DATE 2004/07/20	TITLE 10 HDMI RIGHT ANGLE HEADER ASSEMBLY(19 PIN) LEAD FREE	
			4 PLACES ± --- ± ---	3 PLACES ± --- ± ---	CHECKED BY GRMA	DATE 2004/07/20	MOLEX INCORPORATED	
			2 PLACES ± 0.25 ± ---	1 PLACE ± --- ± ---	APPROVED BY YTYAP	DATE 2004/07/20	DOCUMENT NO. SD-47151-001	
J1			ANGULAR ± 3 °		SEE SHEET 6			SHEET NO. 1 OF 7
DRAFT WHERE APPLICABLE MUST REMAIN WITHIN DIMENSIONS			THIS DRAWING CONTAINS INFORMATION THAT IS PROPRIETARY TO MOLEX INCORPORATED AND SHOULD NOT BE USED WITHOUT WRITTEN PERMISSION					

9 8 7 6 5 4 3 2 1

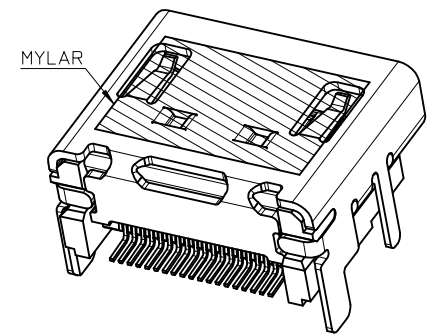
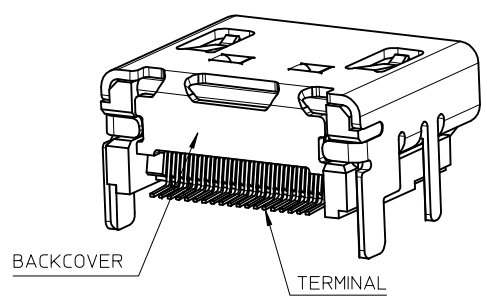
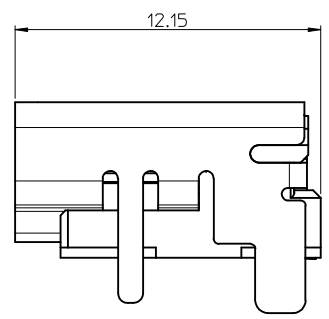
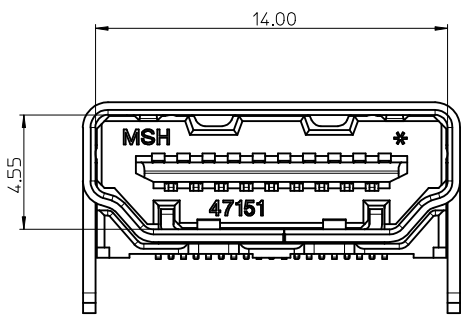
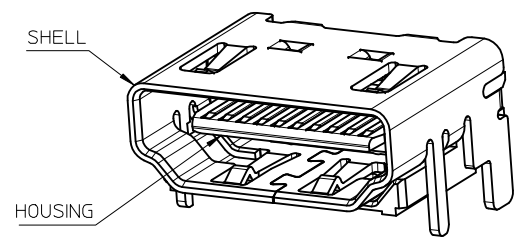
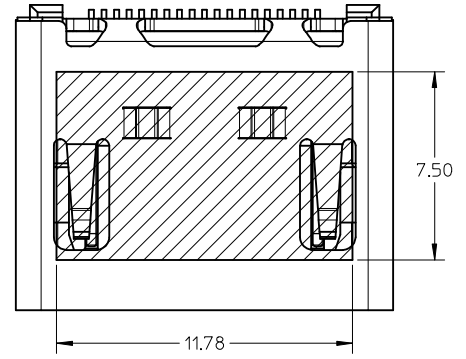
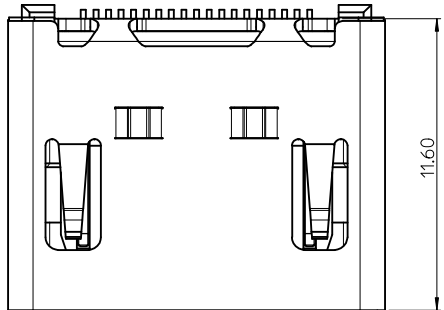


NOTES:
 1. THE UNSPECIFIED DIMENSIONS REFER TO SHEET 1.
 2. PACKAGE SPECIFICATION FOR WITH FLANGE REFER TO PK-47151-002.

REVISED EC NO: J1	DRWN: CWTANG CHKD: APPR:	2008/10/29	DESCRIPTION	QUALITY SYMBOLS	GENERAL TOLERANCES (UNLESS SPECIFIED)		DIMENSION STYLE		SCALE	DESIGN UNITS	THIRD ANGLE PROJECTION
				▼=0 ◻=0	mm	INCH	MM ONLY	5:1	METRIC	☉ ◻ THIRD ANGLE PROJECTION	
DRAFT WHERE APPLICABLE MUST REMAIN WITHIN DIMENSIONS				4 PLACES	± ---	± ---	DRAWN BY	DATE	TITLE		
				3 PLACES	± ---	± ---	RZHANG	2004/07/20			
				2 PLACES	± 0.25	± ---	CHECKED BY	DATE	1.0 HDMI RIGHT ANGLE HEADER ASSEMBLY(19 PIN) LEAD FREE		
				1 PLACE	± ---	± ---	GRMA	2004/07/20			
				ANGULAR ± 3 °		APPROVED BY		DATE	MOLEX INCORPORATED		
						YTYAP	2004/07/20				
				MATERIAL NO.		SEE SHEET 6		DOCUMENT NO.		SHEET NO.	
								SD-47151-001		2 OF 7	
				SIZE		THIS DRAWING CONTAINS INFORMATION THAT IS PROPRIETARY TO MOLEX INCORPORATED AND SHOULD NOT BE USED WITHOUT WRITTEN PERMISSION					
				A3							

10 9 8 7 6 5 4 3 2 1

WITH BACK COVER



THIS IS ONLY FOR 47151-1061/1071/1081

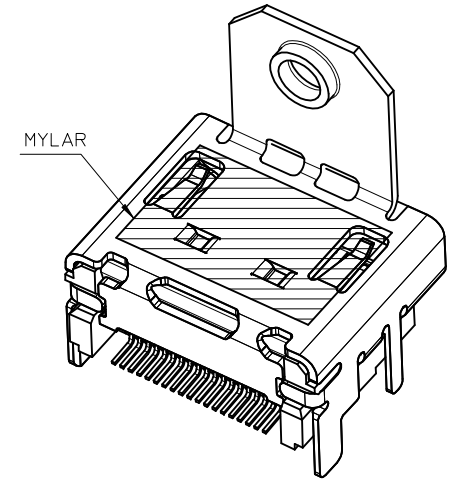
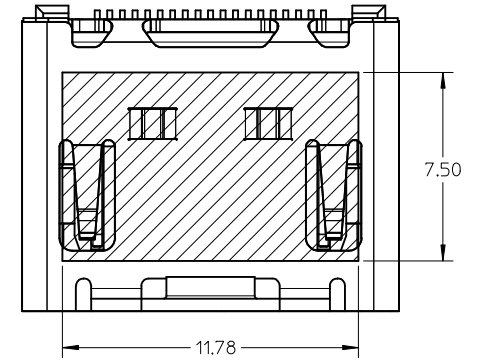
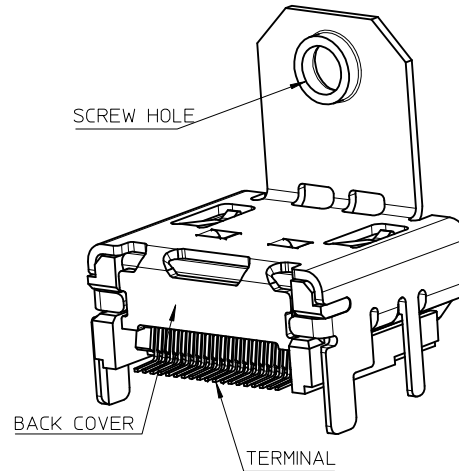
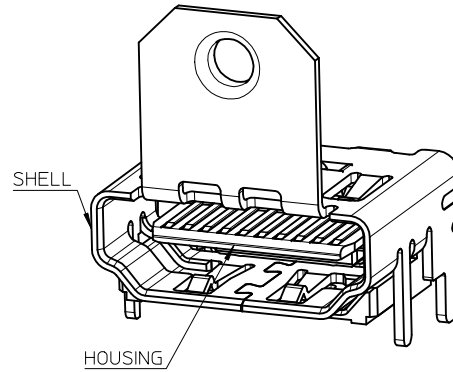
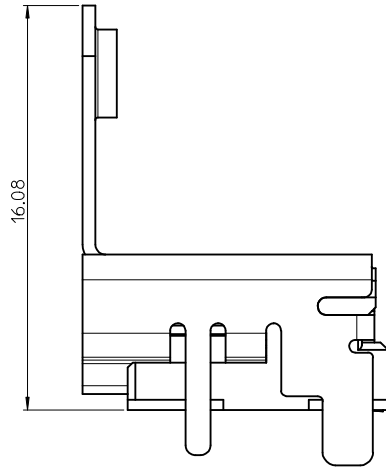
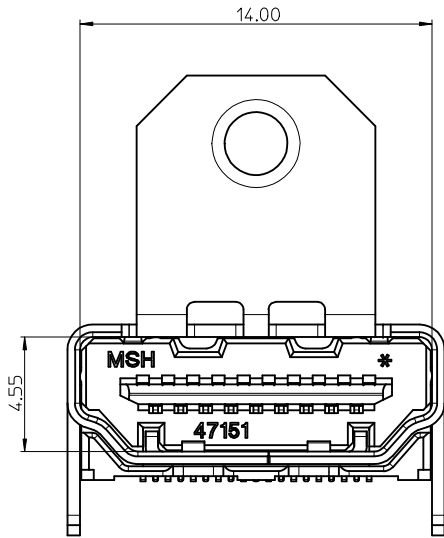
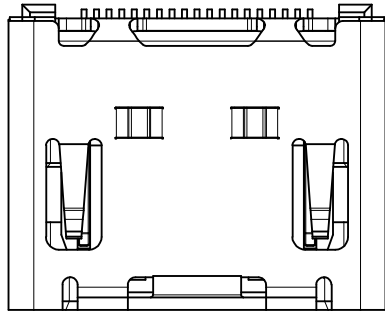
- NOTES:
1. THE UNSPECIFIED DIMENSIONS REFER TO 47151-0001.
 2. PACKAGE SPECIFICATION FOR WITHOUT FLANGE REFER TO PK-47151-001.

REVISED EC NO: DRWN: CWTANG CHKD: APPR: J1	2008/10/29 DESCRIPTION	QUALITY SYMBOLS ▽=0 ▽=0		GENERAL TOLERANCES (UNLESS SPECIFIED)		DIMENSION STYLE MM ONLY		SCALE 5:1	DESIGN UNITS METRIC	THIRD ANGLE PROJECTION														
				<table border="1"> <thead> <tr> <th></th> <th>mm</th> <th>INCH</th> </tr> </thead> <tbody> <tr> <td>4 PLACES</td> <td>± ---</td> <td>± ---</td> </tr> <tr> <td>3 PLACES</td> <td>± ---</td> <td>± ---</td> </tr> <tr> <td>2 PLACES</td> <td>± 0.25</td> <td>± ---</td> </tr> <tr> <td>1 PLACE</td> <td>± ---</td> <td>± ---</td> </tr> </tbody> </table>			mm	INCH	4 PLACES	± ---	± ---	3 PLACES	± ---	± ---	2 PLACES	± 0.25	± ---	1 PLACE	± ---	± ---	DRAWN BY: RZHANG DATE: 2004/07/20		TITLE: 1.0 HDMI RIGHT ANGLE HEADER ASSEMBLY(19 PIN) LEAD FREE	
			mm	INCH																				
		4 PLACES	± ---	± ---																				
3 PLACES	± ---	± ---																						
2 PLACES	± 0.25	± ---																						
1 PLACE	± ---	± ---																						
ANGULAR ± 3 °		CHECKED BY: GRMA DATE: 2004/07/20		APPROVED BY: YTYAP DATE: 2004/07/20		MOLEX INCORPORATED																		
DRAFT WHERE APPLICABLE MUST REMAIN WITHIN DIMENSIONS		MATERIAL NO. SEE SHEET 6		DOCUMENT NO. SD-47151-001		SHEET NO. 3 OF 7																		

9 8 7 6 5 4 3 2 1

10 9 8 7 6 5 4 3 2 1

WITH BACK COVER



THIS IS ONLY FOR
47151-1025/6022/6032/1026/2062

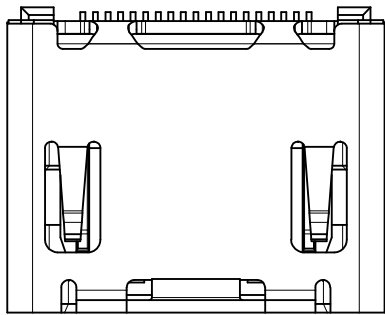
NOTES:

1. THE UNSPECIFIED DIMENSIONS REFER TO 47151-0002.
2. PACKAGE SPECIFICATION FOR WITH FLANGE REFER TO
OPTION 1 : 47151-6032/1026/2062 REFER TO PK-47151-005
OPTION 2 : 47151-1025/6022 REFER TO PK-47151-002

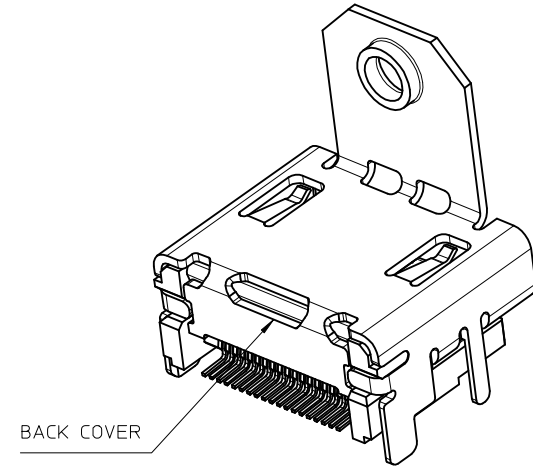
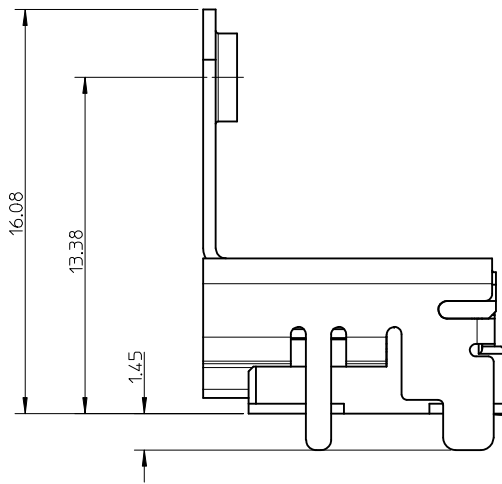
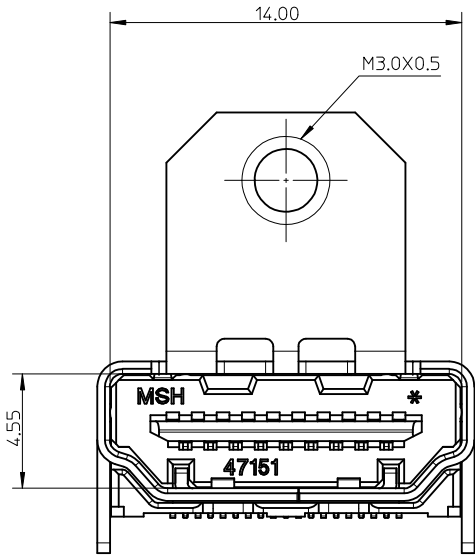
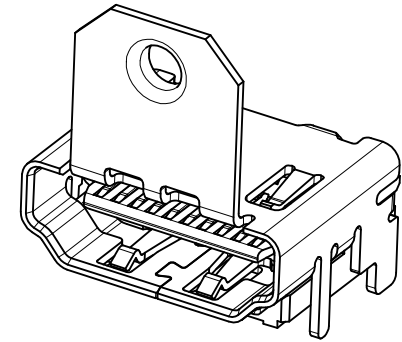
REVISED EC NO: DRW: CWTANG CHKD: APPR:	DESCRIPTION REV	2008/10/29	QUALITY SYMBOLS		GENERAL TOLERANCES (UNLESS SPECIFIED)		DIMENSION STYLE		SCALE	DESIGN UNITS	THIRD ANGLE PROJECTION	
		J1	▽=0	∠=0	mm	INCH	MM ONLY		5:1	METRIC		
			4 PLACES ± --- ± ---	3 PLACES ± --- ± ---	2 PLACES ± 0.25 ± ---	1 PLACE ± --- ± ---	DRAWN BY RZHANG		DATE 2004/07/20	TITLE		
			ANGULAR ± 3 °		DRAFT WHERE APPLICABLE MUST REMAIN WITHIN DIMENSIONS		CHECKED BY GRMA		DATE 2004/07/20	1.0 HDMI RIGHT ANGLE HEADER ASSEMBLY(19 PIN) LEAD FREE		
					APPROVED BY YTYAP		DATE 2004/07/20	MOLEX INCORPORATED				
					MATERIAL NO.		SEE SHEET 7		DOCUMENT NO.	SHEET NO.		
									SD-47151-001	4 OF 7		
THIS DRAWING CONTAINS INFORMATION THAT IS PROPRIETARY TO MOLEX INCORPORATED AND SHOULD NOT BE USED WITHOUT WRITTEN PERMISSION												

9 8 7 6 5 4 3 2 1

10 9 8 7 6 5 4 3 2 1



WITHOUT TOP HOLE




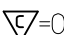

NOTES:
1. THE UNSPECIFIED DIMENSIONS REFER TO 47151-1102.

REVISED EC NO: J1	DRWN: CWTANG CHKD: APPR:	DESCRIPTION REV	QUALITY SYMBOLS ▽=0 ◻=0	GENERAL TOLERANCES (UNLESS SPECIFIED)		DIMENSION STYLE MM ONLY	SCALE 5:1	DESIGN UNITS METRIC	THIRD ANGLE PROJECTION		
				mm	INCH	DRAWN BY RZHANG	DATE 2004/07/20	TITLE 1.0 HDMI RIGHT ANGLE HEADER ASSEMBLY(19 PIN) LEAD FREE			
				4 PLACES ± ---	± ---	CHECKED BY GRMA	DATE 2004/07/20	MOLEX MOLEX INCORPORATED			
				3 PLACES ± ---	± ---	APPROVED BY YTYAP	DATE 2004/07/20	MATERIAL NO. SEE SHEET 7	DOCUMENT NO. SD-47151-001	SHEET NO. 5 OF 7	
DRAFT WHERE APPLICABLE MUST REMAIN WITHIN DIMENSIONS				ANGULAR ± 3 °		THIS DRAWING CONTAINS INFORMATION THAT IS PROPRIETARY TO MOLEX INCORPORATED AND SHOULD NOT BE USED WITHOUT WRITTEN PERMISSION					

9 8 7 6 5 4 3 2 1

10		9				8		7		6		5		4		3		2		1							
ASSEMBLY NO.	DIMENSION					FEATURE				HOUSING COLOR	GOLD PLATING IN CONTACT AREA	SHELL PLATING	REMARK														
	DIM A	DIM B	DIM C	DIM D	DIM E	FANGE	BACK COVER	TOP HOLES	MYLAR																		
47151-0001	1.80	2.20	/	/	/	W/O	W/O			W/O	BLACK	SEE NOTE 2 (1)	SEE NOTE 2 (a)	FOR SHEET 1													
47151-0051											BLACK	SEE NOTE 2 (3)															
47151-0011											NATURE																
47151-0021											BLACK																
47151-0031											NATURE																
47151-0101											BLACK																
47151-0151	1.45	1.45	/	/	/	W/O	W/O		W/O	BLACK	SEE NOTE 2 (3)	SEE NOTE 2 (a)	FOR SHEE 2														
47151-0111										NATURE																	
47151-0121										BLACK																	
47151-0131										NATURE																	
47151-0002										BLACK																	
47151-0012										NATURE																	
47151-0022	1.80	2.20	M3.0X0.5	16.08	13.38	WITH	W/O		W/O	BLACK	SEE NOTE 2 (1)	SEE NOTE 2 (a)	FOR SHEE 2														
47151-0032										NATURE																	
47151-0102										BLACK																	
47151-0112										NATURE																	
47151-0122										BLACK																	
47151-0132										NATURE																	
47151-6002	1.80	2.20	/	/	/	W/O	W/O		W/O	BLACK	SEE NOTE 2 (a)	SEE NOTE 2 (a)	FOR SHEET 3														
47151-6102	1.45	1.45								14.25	11.28	BLACK		SEE NOTE 2 (1)	SEE NOTE 2 (b)												
47151-1001	1.80	2.20								W/O	W/O	W/O		WITH	W/O	WITH	WITH	BLACK	SEE NOTE 2 (1)	SEE NOTE 2 (a)	FOR SHEET 3						
47151-1061																	W/O	BLACK	SEE NOTE 2 (2)	SEE NOTE 2 (a)							
47151-1041																	WITH	BLACK	SEE NOTE 2 (3)	SEE NOTE 2 (b)							
47151-1071																	W/O	BLACK	SEE NOTE 2 (1)	SEE NOTE 2 (a)							
47151-1051			WITH	BLACK	SEE NOTE 2 (3)	SEE NOTE 2 (b)																					
47151-1081			NATURE																								
47151-1011	1.45	1.45	/	/	/	W/O	WITH	W/O	BLACK	SEE NOTE 2 (1)	SEE NOTE 2 (a)	FOR SHEET 3															
47151-1021									BLACK	SEE NOTE 2 (3)	SEE NOTE 2 (b)																
47151-1091									NATURE	SEE NOTE 2 (1)	SEE NOTE 2 (a)																
47151-1031									BLACK	SEE NOTE 2 (2)	SEE NOTE 2 (a)																
47151-1101									BLACK	SEE NOTE 2 (3)	SEE NOTE 2 (b)																
47151-1141									NATURE																		
47151-1151	1.45	1.45	/	/	/	W/O	WITH	W/O	BLACK	SEE NOTE 2 (1)	SEE NOTE 2 (b)	FOR SHEET 3															
47151-1111									NATURE																		
47151-1121									BLACK	SEE NOTE 2 (1)	SEE NOTE 2 (b)																
47151-1131									NATURE																		

C																			
B																			

REVISED EC NO: DRWNCWTANG CHKD: J1 APPR:	2008/10/29 DESCRIPTION REV	QUALITY SYMBOLS  = 0  = 0	GENERAL TOLERANCES (UNLESS SPECIFIED)		DIMENSION STYLE MM ONLY		SCALE 1:1	DESIGN UNITS METRIC	 THIRD ANGLE PROJECTION		TITLE 1.0 HDMI RIGHT ANGLE HEADER ASSEMBLY(19 PIN) LEAD FREE									
		4 PLACES ± --- ± --- 3 PLACES ± --- ± --- 2 PLACES ± 0.25 ± --- 1 PLACE ± --- ± ---		mm INCH		DRAWN BY DATE RZHANG 2004/07/20		CHECKED BY DATE GRMA 2004/07/20		APPROVED BY DATE YTYAP 2004/07/20		MOLEX INCORPORATED				SHEET NO. 6 OF 7				
		ANGULAR ± 3 °		DRAFT WHERE APPLICABLE MUST REMAIN WITHIN DIMENSIONS		MATERIAL NO. SEE TABLE		DOCUMENT NO. SD-47151-001		THIS DRAWING CONTAINS INFORMATION THAT IS PROPRIETARY TO MOLEX INCORPORATED AND SHOULD NOT BE USED WITHOUT WRITTEN PERMISSION										
		SIZE A3																		

ASSEMBLY NO.	DIMENSION					FEATURE				HOUSING COLOR	GOLD PLATING IN CONTACT AREA	SHELL PLATING	REMARK
	DIM A	DIM B	DIM C	DIM D	DIM E	FLANGE	BACK COVER	TOP HOLES	MYLAR				
47151-1002	1.80	2.20	M3.0X0.5	16.08	13.38	WITH	WITH	WITH	W/O	BLACK	SEE NOTE 2 (1)	SEE NOTE 2 (a)	FOR SHEET 4
47151-1042										BLACK	SEE NOTE 2 (2)		
47151-1052										BLACK	SEE NOTE 2 (3)		
47151-1062										BLACK	SEE NOTE 2 (4)		
47151-2062										WITH			
47151-1012	1.45	1.45	M3.0X0.5	16.08	13.38	WITH	WITH	WITH	W/O	NATURE	SEE NOTE 2 (1)	SEE NOTE 2 (a)	FOR SHEET 4
47151-1022										BLACK			
47151-1032										NATURE			
47151-1102										BLACK	SEE NOTE 2 (2)		
47151-1142										BLACK			
47151-1152										BALCK	SEE NOTE 2 (3)		
47151-1112										NATURE	SEE NOTE 2 (1)	SEE NOTE 2 (b)	
47151-1122										BLACK			
47151-1132										NATURE			
47151-1005										BLACK	SEE NOTE 2 (2)		
47151-1015	NATURE												
47151-1025	WITH	BLACK	SEE NOTE 2 (a)										
47151-1026	W/O	BLACK											
47151-6012	WITH	BLACK											
47151-6022	W/O	BLACK											
47151-6042	W/O	BLACK											
47151-6052	1.80	2.20	M3.0X0.5	14.25	11.28	WITH	WITH	W/O	W/O	BLACK	SEE NOTE 2 (2)	SEE NOTE 2 (a)	FOR SHEET 5
47151-6022										BLACK	SEE NOTE 2 (3)		
47151-6032										WITH	BLACK		
47151-6112										BLACK	SEE NOTE 2 (1)		
47151-6142										BLACK	SEE NOTE 2 (2)		
47151-6152	BLACK	SEE NOTE 2 (3)											
47151-7102	/	/	/	/	/	WITH	WITH	W/O	W/O	BLACK	SEE NOTE 2 (1)	SEE NOTE 2 (a)	FOR SHEET 5



REVISED IEC NO: SH2009-0262 DRWN: CWTANG 2008/10/29 CH'KD: JISONG 2008/10/29 APPR: HHWANG 2008/11/12 REV	QUALITY SYMBOLS	GENERAL TOLERANCES (UNLESS SPECIFIED) <table border="1"> <tr> <td></td> <td>mm</td> <td>INCH</td> </tr> <tr> <td>4 PLACES</td> <td>± ---</td> <td>± ---</td> </tr> <tr> <td>3 PLACES</td> <td>± ---</td> <td>± ---</td> </tr> <tr> <td>2 PLACES</td> <td>± 0.25</td> <td>± ---</td> </tr> <tr> <td>1 PLACE</td> <td>± ---</td> <td>± ---</td> </tr> <tr> <td colspan="3">ANGULAR ± 3 °</td> </tr> </table>		mm	INCH	4 PLACES	± ---	± ---	3 PLACES	± ---	± ---	2 PLACES	± 0.25	± ---	1 PLACE	± ---	± ---	ANGULAR ± 3 °			DIMENSION STYLE	SCALE	DESIGN UNITS	THIRD ANGLE PROJECTION
			mm	INCH																				
	4 PLACES		± ---	± ---																				
	3 PLACES		± ---	± ---																				
	2 PLACES		± 0.25	± ---																				
1 PLACE	± ---	± ---																						
ANGULAR ± 3 °																								
 		MM ONLY	1:1	METRIC																				
		DRAWN BY	DATE	TITLE																				
		RZHANG	2004/07/20	1.0 HDMI RIGHT ANGLE HEADER ASSEMBLY(19 PIN) LEAD FREE																				
		CHECKED BY	DATE	MOLEX INCORPORATED																				
		GRMA	2004/07/20	SD-47151-001																				
		APPROVED BY	DATE	SHEET NO.																				
		YTYAP	2004/07/20	7 OF 7																				
		MATERIAL NO.		THIS DRAWING CONTAINS INFORMATION THAT IS PROPRIETARY TO MOLEX INCORPORATED AND SHOULD NOT BE USED WITHOUT WRITTEN PERMISSION																				
		SEE TABLE																						